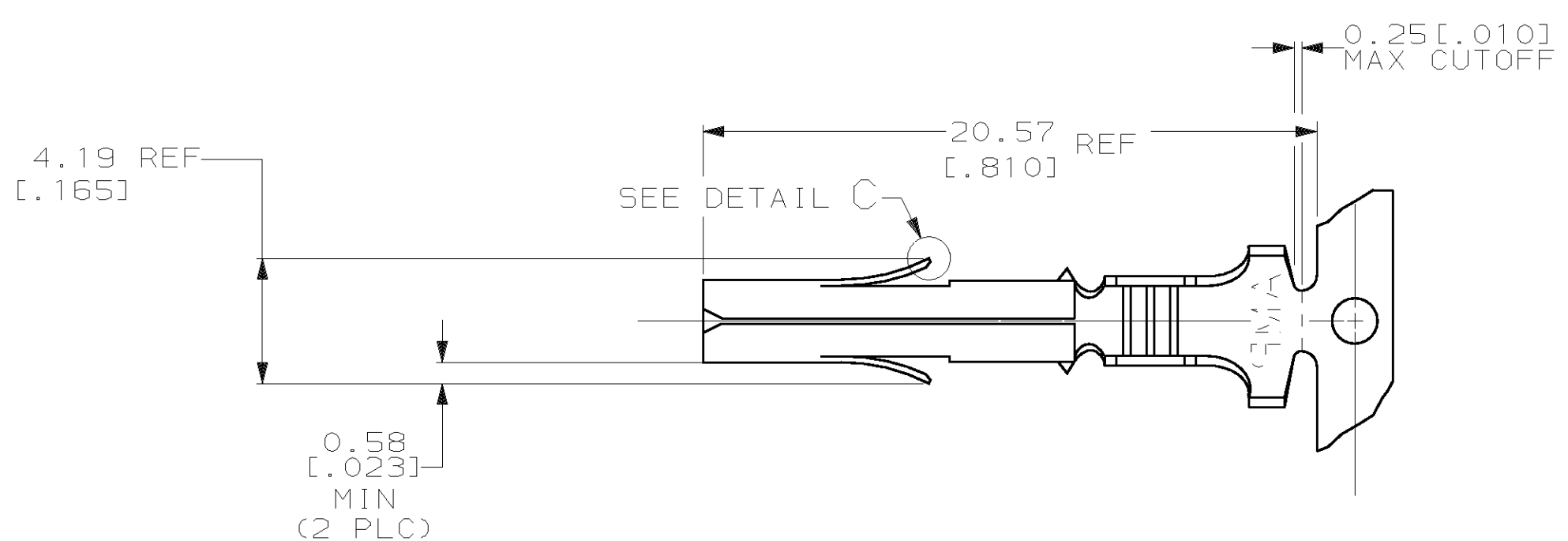
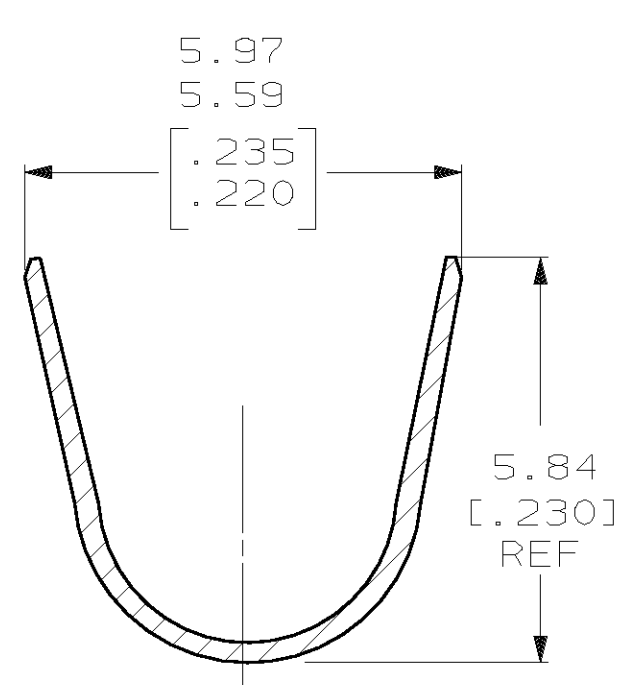
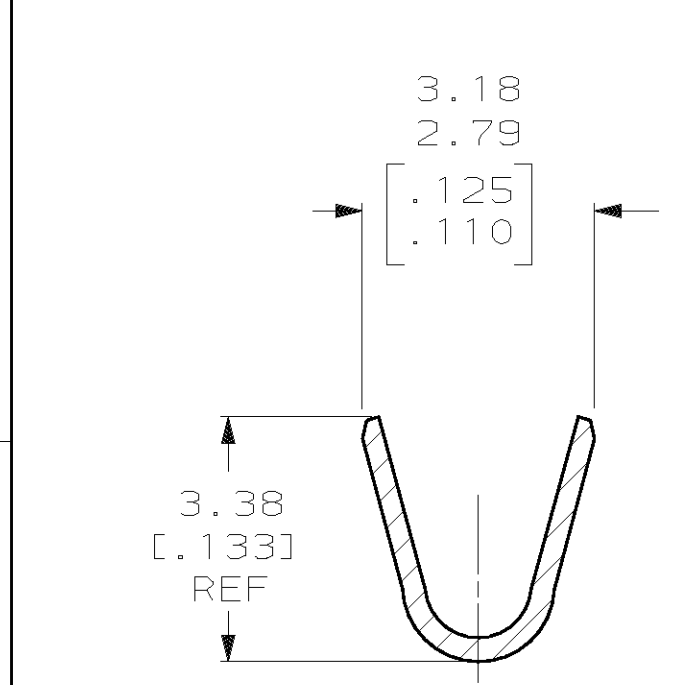
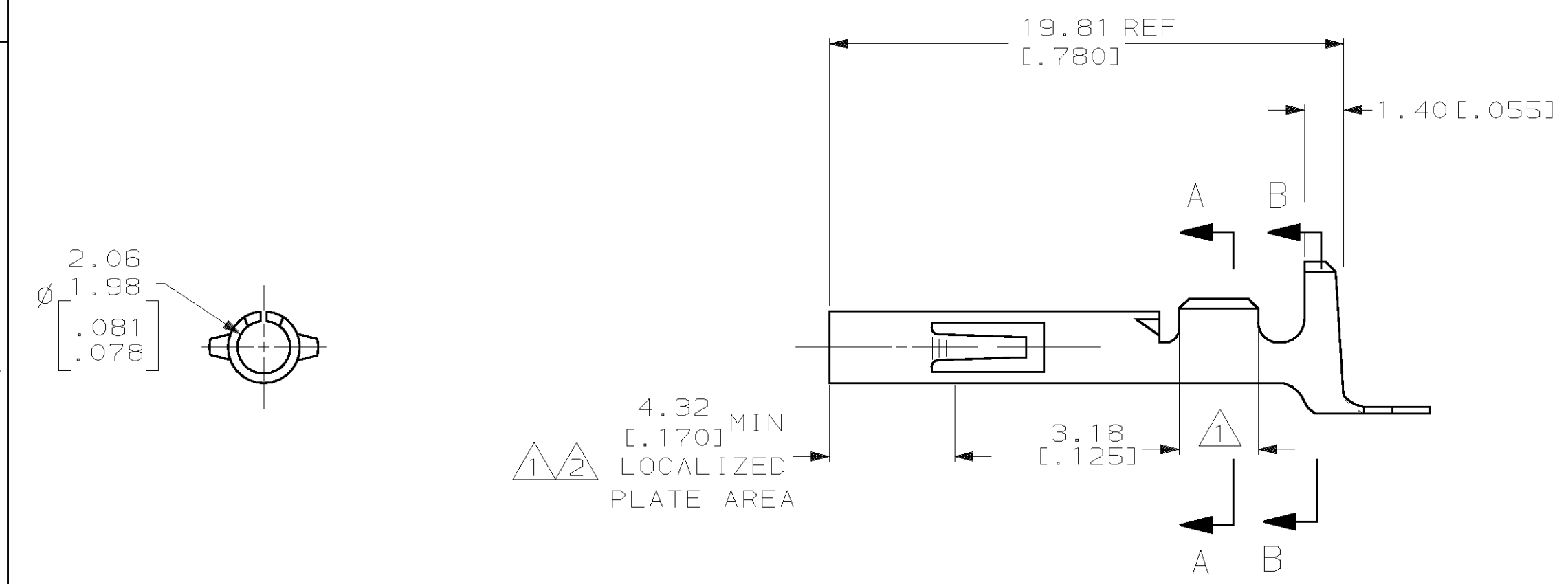


| LOC | | DIST | | REVISIONS | | | | DATE | APPD |
|-----|----|------|---|-----------|-----|-----------------------------|-----------|-------|------|
| CM | 53 | P | F | ZONE | LTR | DESCRIPTION | | | |
| | | | | | AD | REVISED PER EC 063B-0100-03 | 18-FEB-03 | KW SR | |



- ① 0.00076 [.000030] THK GOLD OVER NICKEL ON INSIDE OF RECEPTACLE AND WIRE BARREL; REMAINDER OF CONTACT IS NICKEL PLATED.
- ② 0.00076 [.000030] THK GOLD ON INSIDE OF RECEPTACLE; REMAINDER OF CONTACT IS NICKEL PLATED.
- 3. DIMENSIONS IN BRACKETS ARE IN INCHES.
- ④ PACKAGED AND SOLD IN PALLET LOADS ONLY. 44 REELS PER PALLET (110,000 CONTACTS).



| FINISH | MATERIAL | PART NO |
|-------------------|--------------------|------------|
| TIN | MAKE FROM 350537-1 | 1-350537-1 |
| 350551-7 GOLD ② | 0.30 [.012] BRASS | 350537-7 |
| 350551-6 GOLD ② | 0.30 [.012] PH BZ | 350537-6 |
| 350551-3 TIN | 0.30 [.012] PH BZ | 350537-3 |
| 350551-2 GOLD ① | 0.30 [.012] BRASS | 350537-2 |
| 350551-1 TIN | 0.30 [.012] BRASS | 350537-1 |
| LOOSE PIECE (REF) | | |

DO NOT SCALE PRINT. UNLESS SPECIFIED DIMENSIONS IN mm [INCHES] TOLERANCES ON:
 2 PLC DEC ± -
 3 PLC DEC ± 0.13 [.005]
 ANGLES ± -
 WIRE RANGE 20-14 AWG
 INSULATION RANGE 5.08 [.200] DIA MAX

DR 6-11-91 K. SALMON
 CHK 6-11-91 R. SWING
 APPD 6-12-91 D. SELF
 APPD 6-12-91 D. SELF
 PRODUCT SPEC -
 APPLICATION SPEC -
 WEIGHT -

AMP AMP Incorporated
 Harrisburg, PA 17105-3608

NAME
SOCKET, UNIVERSAL MATE-N-LOK™

SIZE CAGE CODE DRAWING NO
 C 00779 350537

SCALE 5:1 SHEET 1 OF 1

